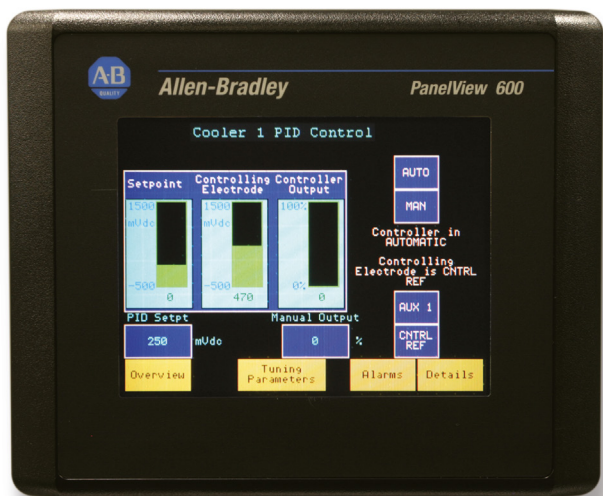
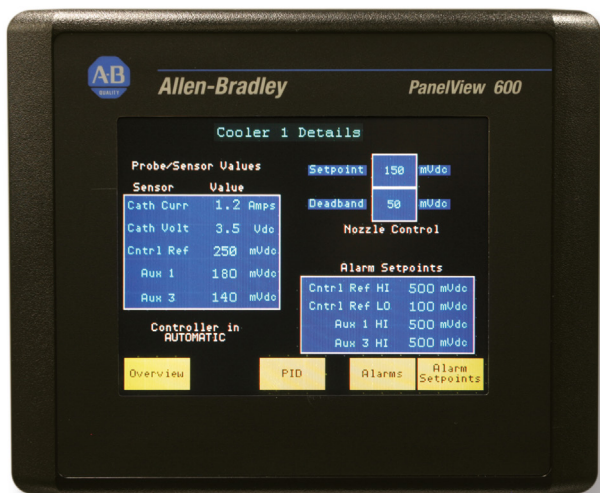


## MECS® FILMGARD™ 5 SYSTEM FOR ANODICALLY PROTECTED ACID COOLERS

Significantly reduce the corrosion rate on ferrous metal acid coolers and replace any existing acid cooler anodic protection system



### FILMGARD 5 – THE NEWEST AND MOST ADVANCED ANODIC PROTECTION SYSTEMS FOR SHELL AND TUBE HEAT EXCHANGER ACID COOLERS

Ferrous metals can have their corrosion rates significantly reduced in certain environments by applying direct current to make them an anode in an electrical system. In a Filmgard 5 anodically protected acid cooler, the wetted acid surfaces (shell and tubes) are maintained at the proper voltage potential. This creates a passive film that reduces the corrosion rates and increases the effective total life of the protected acid cooler. This benefit can be added to ANY brand acid cooler and will easily retrofit and replace ANY existing AP system with a common, fully integrated, centrally controlled, advanced AP system by MECS® - Filmgard 5.

## FEATURES AND BENEFITS

### PLC BASED SYSTEMS

- Color graphics display with touch screen, presenting all electrode readings and control parameters for multiple coolers concurrently.
- Allen-Bradley\* PanelView 600 supplied controls for highest quality, advanced technology, with predictive maintenance features.
- Controller alarm and control set points may be changed by simply touching the screen.
- Dial-in/Internet diagnostics provide quick identification and recovery.

### DCS INTEGRATED SYSTEMS

- Easy integration with any brand of plant DCS.
- One panel to install – less field installation work and expense.

### PLC AND DCS BASED SYSTEMS

- Single, high reliability Power-Pac to passivate any size acid coolers.
- All electrical and electronic components meet U.S. and international standards for reliability and safety.

\*Allen-Bradley is a division of Rockwell Automation

# MECS® FILMGARD™ 5 SYSTEM FOR ANODICALLY PROTECTED ACID COOLERS

## MECS H<sub>2</sub>SO<sub>4</sub> EXPERIENCE – UNMATCHED WORLD WIDE

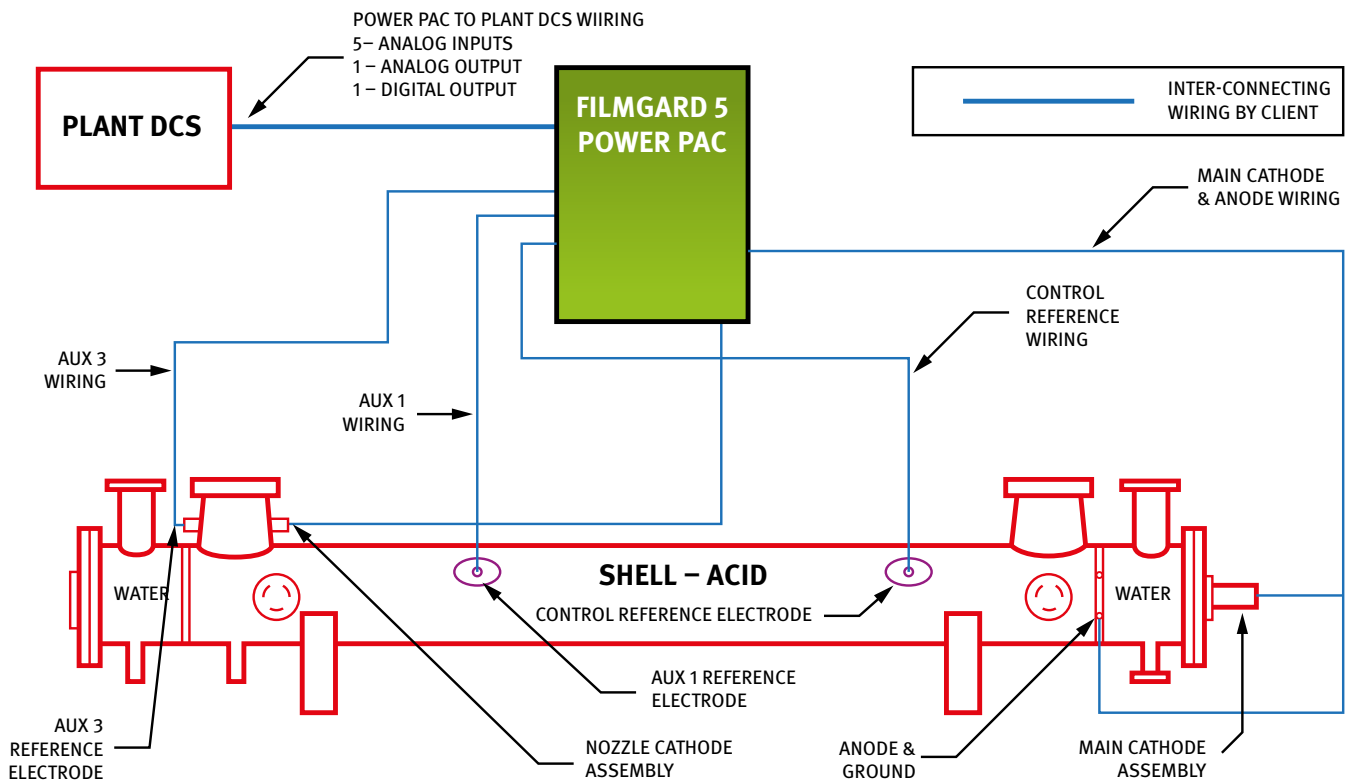
Since 1927, MECS® has offered process technology and high performance products for the sulfuric acid industry. MECS® overall acid plant design and construction experience combined with extensive corrosion R&D and workability testing has led to material improvement breakthroughs for the acid industry. To assist you in choosing these proven and reliable anodic protection technologies for your acid cooler, MECS® has sales and engineering offices world wide that can help you specify the MECS Acid Cooler best suited to your needs.

## TECHNICAL SUPPORT, SPARE PARTS AND QUALITY

Technical service is available to all of our customers through our marketing and technical services department. Assistance for start-ups and turnarounds, training, and maintenance service is also available. Spare parts for all of our Acid Coolers and Filmgard systems are shipped with short lead times and critical parts are stocked for immediate shipment. The MECS® quality commitment to you: We constantly strive for the optimum design to maintain the delicate balance between performance and cost that will give you the best overall solution to your acid cooling and corrosion resistance requirements.

As a technology-based company, our strength lies in providing you the best products and services available. Our charter and commitment to you is to maintain this goal.

## DCS INTEGRATED FILMGARD 5 ANODIC PROTECTION SYSTEM



North America MECS Headquarters  
 Chesterfield, Missouri USA  
 Tel: +1-314-275 5700  
 northamerica@mecsglobal.com

South America  
 Alphaville, Sao Paulo, Brazil  
 Tel: +55-11-4166 8535  
 brazil@mecsglobal.com

Asia Pacific South  
 Mumbai, India  
 MECS India Private Ltd.  
 Tel: +91-22-6751 5000  
 india@mecsglobal.com

Asia Pacific North  
 Shanghai, China  
 MECS Chemical Plants  
 Equipment (Shanghai) Co., Ltd  
 Tel: +86-21-3862-2888  
 shanghai@mecsglobal.com



Europe/Middle East/Africa  
 Brussels, Belgium  
 Tel: +32-2-658 2620  
 europe-africa@mecsglobal.com

Moscow, Russia  
 Tel: +7-495-797 2200  
 moscow@mecsglobal.com

Dubai, United Arab Emirates  
 Tel: +971-4-428 5615  
 dubai@mecsglobal.com

Johannesburg, South Africa  
 Tel: +27-11-218 8618  
 southafrica@mecsglobal.com