

MECS® ACID COOLERS

MECS QUALITY STARTS AT THE MOLECULAR LEVEL

The ZeCor® family of corrosion resistant alloys has established the world's standard for proven performance in sulphuric acid service. The MECS quality commitment to you: We constantly strive for the optimum design to maintain the delicate balance between performance and cost that will give you the best overall solution to your acid cooling and corrosion resistance requirements.



MECS meets or exceeds the standards set forth in TEMA "C" and ASME for heat exchanger and pressure vessels. The end result is that MECS Acid Coolers deliver the highest quality and reliability in critical acid plant processes.



Every MECS Acid Cooler is custom designed and built to each customer's specific application and budget.



In a Filmgard 5 anodically protected acid cooler, the wetted acid surfaces (shell and tubes) are maintained at the proper voltage potential. This creates a passive film that reduces the corrosion rates and increases the effective total life of the protected acid cooler.

FEATURES AND BENEFITS

ALL MECS ACID COOLERS

- Custom designed to your application for maximum heat exchange performance.
- MECS has 30 years of Acid Cooler design/build experience.
- Materials of construction selected for environmental and process conditions to minimize corrosion.
- MECS is the world wide leader in sulfuric acid process technology.

ANODICALLY PROTECTED ACID COOLERS

- Employs FilmGARD 5, the newest and most advanced anodic protection system to reduce corrosion rates in ferrous metal coolers.
- Allen-Bradley controls and a single Power-Pac for high reliability in heavy duty use.

ZECOR-Z COOLERS

- NO Anodic Protection required.
- Constructed using MECS' ZeCor high performance alloys for long cooler life with simple operations and maintenance.
- Corrosion rates demonstrated at less than 1 mpy (.025 mm/year).

SEA WATER COOLERS

- Constructed using ZeCor-CL and ZeCor-C high performance alloys which offer outstanding resistance to sulfuric acid and the high chlorides found in sea water.
- Tube to tube sheet stress corrosion cracking due to high chlorides is virtually eliminated.
- Available with FilmGARD 5 Anodic Protection System or with NO Anodic Protection using ZeCor-Z.

MECS® ACID COOLERS

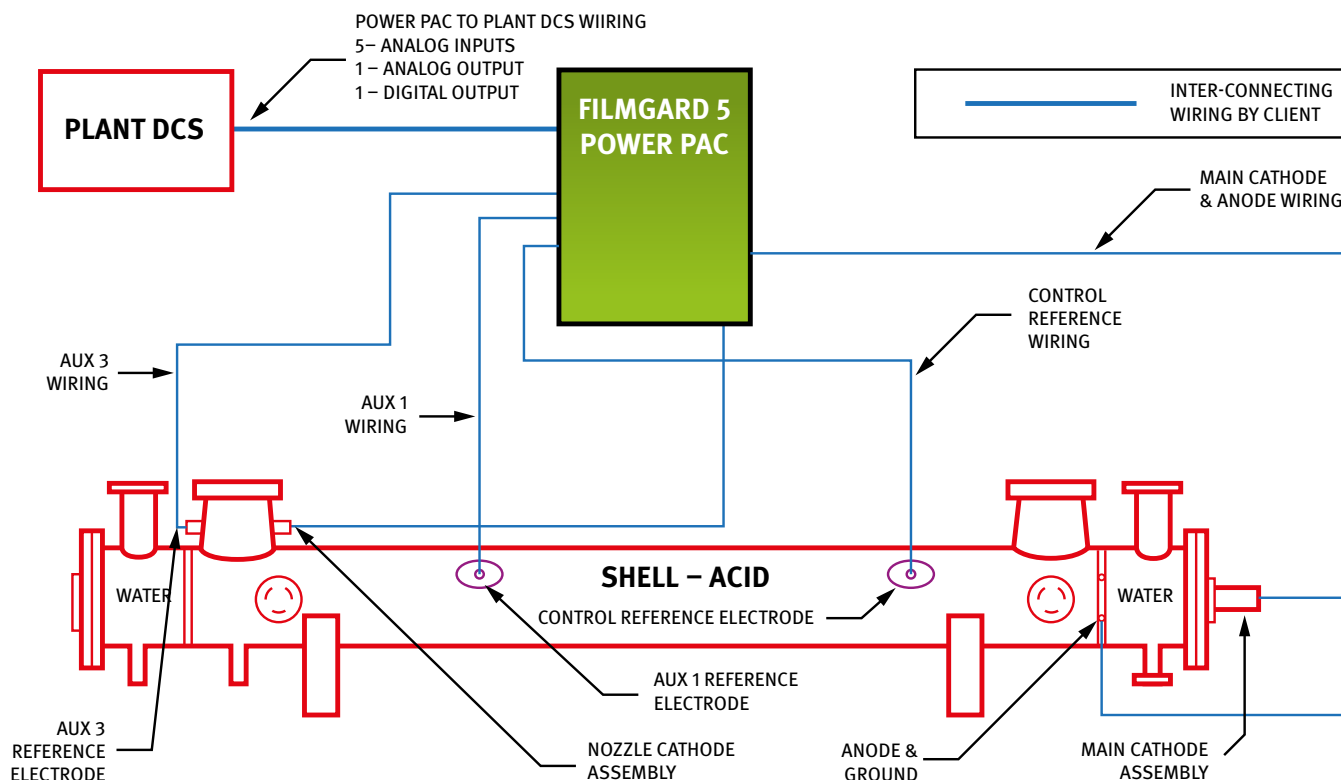
MECS H₂SO₄ EXPERIENCE – UNMATCHED WORLD WIDE

Since 1927, MECS® has offered process technology and high performance products for the sulfuric acid industry. MECS® overall acid plant design and construction experience combined with extensive corrosion R&D and workability testing has led to material improvement breakthroughs for the acid industry. To assist you in choosing these proven and reliable anodic protection technologies for your acid cooler, MECS® has sales and engineering offices world wide that can help you specify the MECS Acid Cooler best suited to your needs.

TECHNICAL SUPPORT, SPARE PARTS AND QUALITY

Technical service is available to all of our customers through our marketing and technical services department. Assistance for start-ups and turnarounds, training, and maintenance service is also available. Spare parts for all of our Acid Coolers and Filmgard systems are shipped with short lead times and critical parts are stocked for immediate shipment. The MECS® quality commitment to you: We constantly strive for the optimum design to maintain the delicate balance between performance and cost that will give you the best overall solution to your acid cooling and corrosion resistance requirements. As a technology-based company, our strength lies in providing you the best products and services available. Our charter and commitment to you is to maintain this goal.

DCS INTEGRATED FILMGARD 5 ANODIC PROTECTION SYSTEM



Brussels, Belgium
MECS Europe/Africa BVBA
Tel: +32-2-658 2620
europe-africa@mecsglobal.com

Moscow, Russia
Tel: +7-495-797 2200
moscow@mecsglobal.com

Dubai, United Arab Emirates
Tel: +971-4-428 5615
dubai@mecsglobal.com

Johannesburg, South Africa
Tel: +27-11-218 8618
southafrica@mecsglobal.com

Mumbai, India
MECS India Private Ltd.
Tel: +91-22-6751 5000
india@mecsglobal.com

MECS Inc. (Headquarters)
Chesterfield, Missouri 63017 USA
Tel: +1-314-275 5700
northamerica@mecsglobal.com

MECS
HEAT EXCHANGERS

MECS also has regional offices in Asia Pacific and the Americas.

DuPont Clean Technologies



www.cleantechnologies.dupont.com
www.mecs.dupont.com